

Thanos-XT Industrial Flood



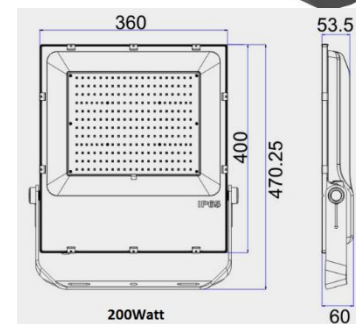
Lights

Designed for the rigors of industry while providing a wide flood of light to open areas. Superior light output per Watt results in significant savings over traditional HID lighting and inferior LED Designs.

Robust aluminum housing provides an IP65 seal while the internal driver is encapsulated in cooling gel to IP66/67 resulting in double moisture protection, ensuring longevity is designed in from the start. High brightness OSRAM LEDs, long-life Meanwell* drivers and advanced cooling design ensures Thanos-XT is there with you for the long haul.

Ideal Uses include: Carparks, industrial areas, general flood lighting.

- 10 - 200 Watt
- 5 Year Warranty
- IP65 Housing
- High Quality Driver (IP66/IP67 Cooling gel sealed)
- Tempered Glass lens IK08
- Including 1.5meter cord >50W
- Including 900mm cable 20W & 30Watt
- Complies to AS/NZS Standards
- Very efficient >130Lumen/Watt
- Wide beam angle 110 Degree
- Compact Size
- Thick Aluminum Construction
- Stainless steel hardware
- Osram LED
- Advanced thermal management
- 12-24VDC Models available (10-20Watt)

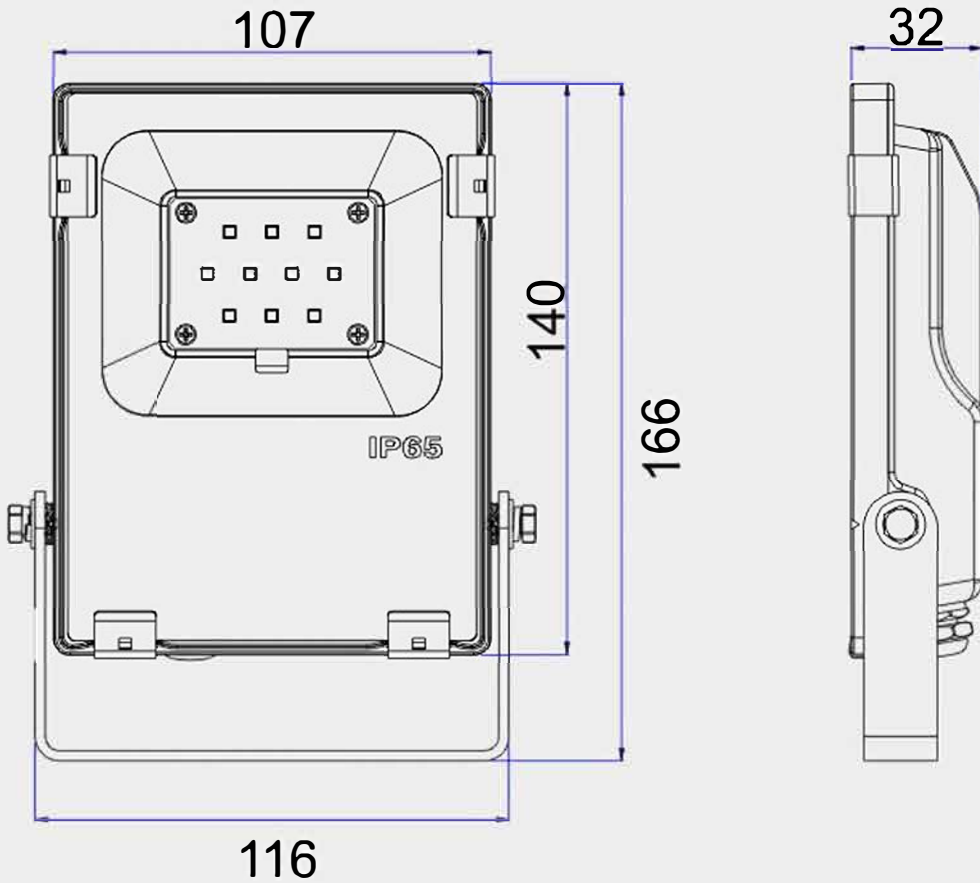


*Sample Dimensions 200Watt

Model	Thanos-XT-20W	Thanos-XT-30W	Thanos-XT-50W	Thanos-XT-80W	Thanos-XT-100W	Thanos-XT-150W	Thanos-XT-200W
Replaces	200W Halogen	300W Halogen 70W M/Halide	500W Halogen 150W M/Halide	250W M/Halide	320W M/Halide	>400W M/Halide	>450W M/Halide
Input Power	20W	30W	50W	80W	100W	150W	200W
Luminous Flux	2800Lm	4200Lm	7000Lm	11200Lm	14000Lm	21000Lm	28000Lm
Dimensions	W 152 H 216.5 /193 D 40	W 167 H 226.5/200 D 40	W 220 H 310.5/220 D 50	W 245 H 354.3/300 D 55	W 295 H 402/345 D 60	W 330 H 430.3/365 D 60	W 360 H 400/470.3 D 60
Weight	920 grams	1.1KG	1.8KG	3KG	4.3KG	5.5KG	7KG
Efficacy Entire Fixture	> 120Lm/W						
Beam Angle	110						
CRI:	>Ra70						
PF:	>95						
Fixture Material:	Aluminium Die Cast						
Life	>50000Hours						
Lens	Tempered Glass IK08						
Voltage:	110~240V AC 12-24VDC available for 10W/20Watt						
CCT:	Standard 5000K Optional: 3000/4000k						
Ratings	Environmental IP65			Impact Rating IK08			
	* Meanwell Sealed driver on 100 / 150 / 200 / 300Watt units			Sosen on 20 - 80Watt Specification subject to change at any time.			

Product size

Unit : mm

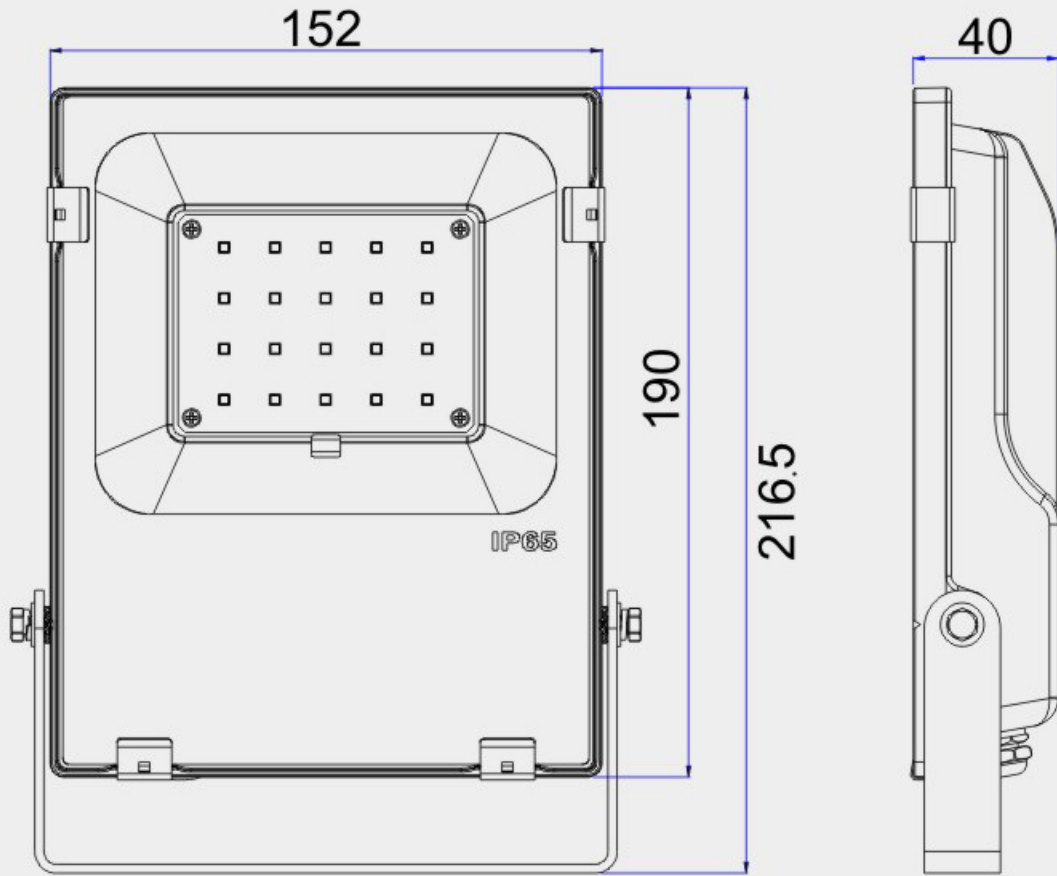


Adaptive parameter

Power (W)	10
Voltage (V)	30
Current(mA)	300
CHIP model	3030
LED QTY(pcs)	10(PCS)
Any way	2P5S
PCB' S size(mm)	53×50×1.5(mm)

Product size

Unit : mm

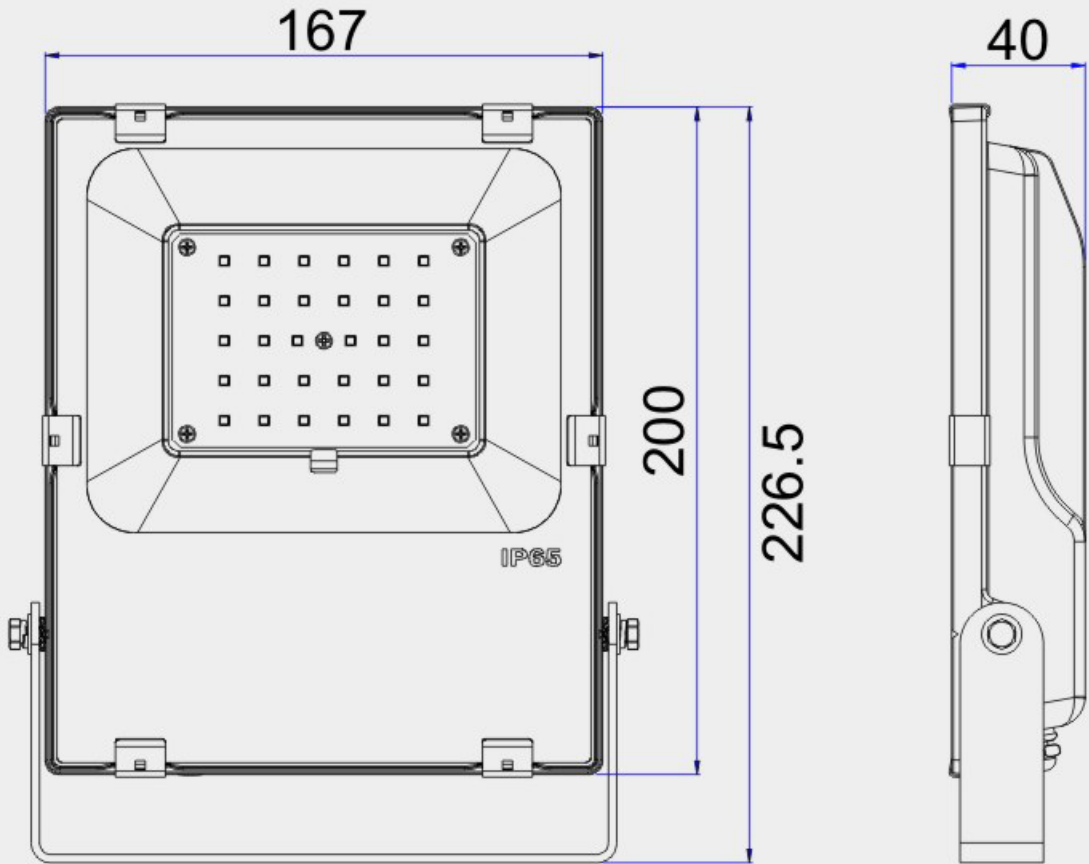


Adaptive parameter

Power (W)	20
Voltage (V)	30
Current(mA)	600
CHIP model	3030
LED QTY(pcs)	20(PCS)
Any way	4P5S
PCB' S size(mm)	81.5×80×1.5(mm)

Product size

Unit : mm

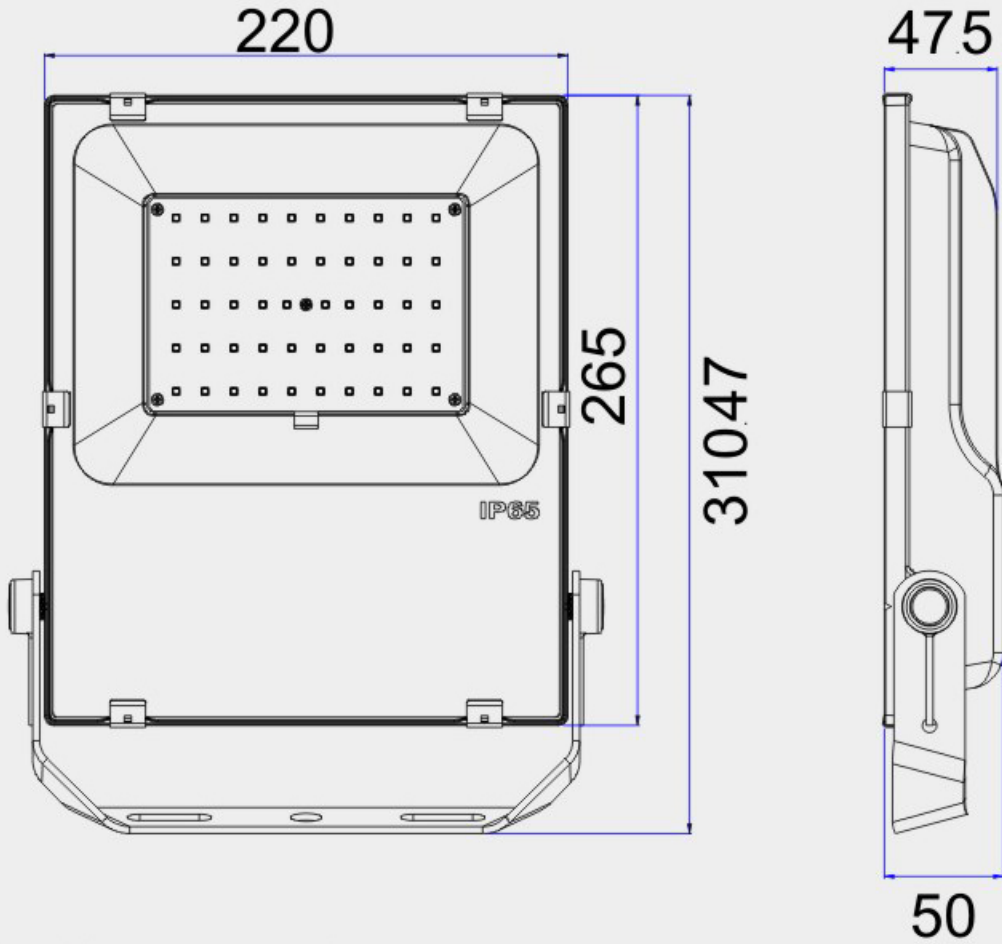


Adaptive parameter

Power (W)	30
Voltage (V)	30
Current(mA)	900
CHIP model	3030
LED QTY(pcs)	30(PCS)
Any way	6P5S
PCB' S size(mm)	91×85×1.5(mm)

Product size

Unit : mm

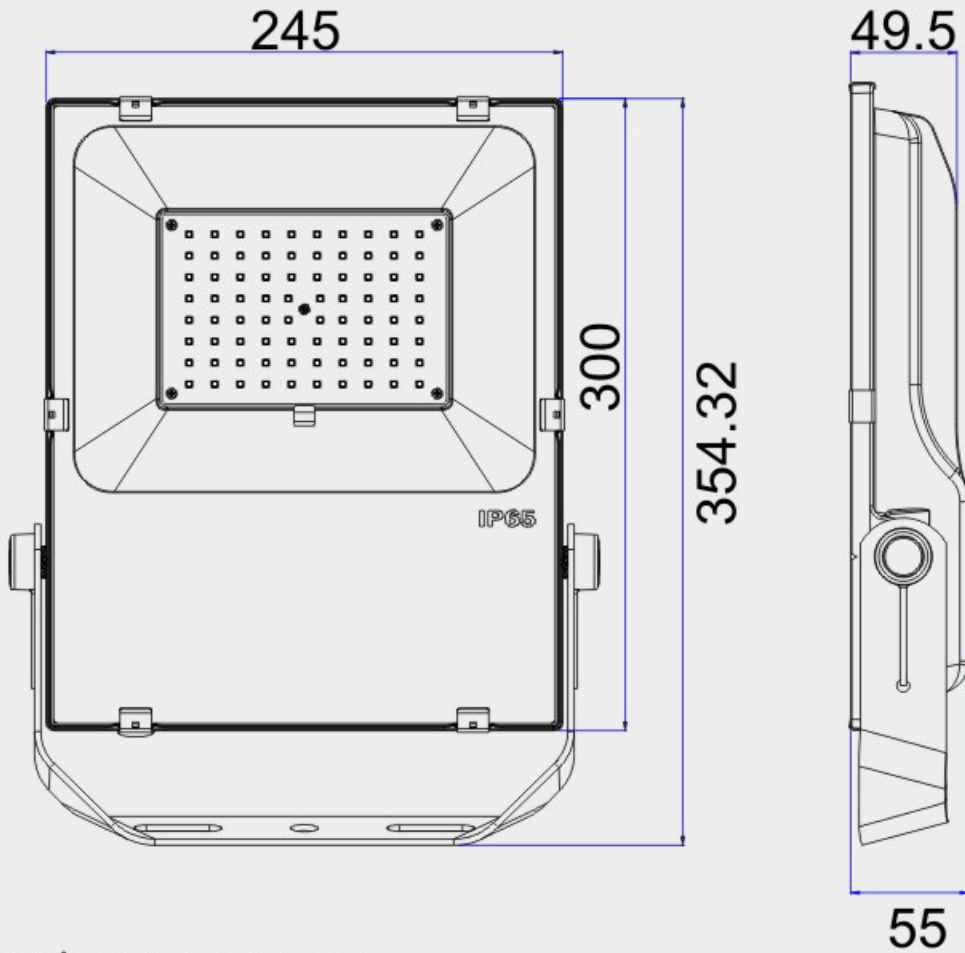


Adaptive parameter

Power (W)	50
Voltage (V)	30
Current(mA)	1500
CHIP model	3030
LED QTY(pcs)	50(PCS)
Any way	10P5S
PCB' S size(mm)	132×111×1.5(mm)

Product size

Unit : mm

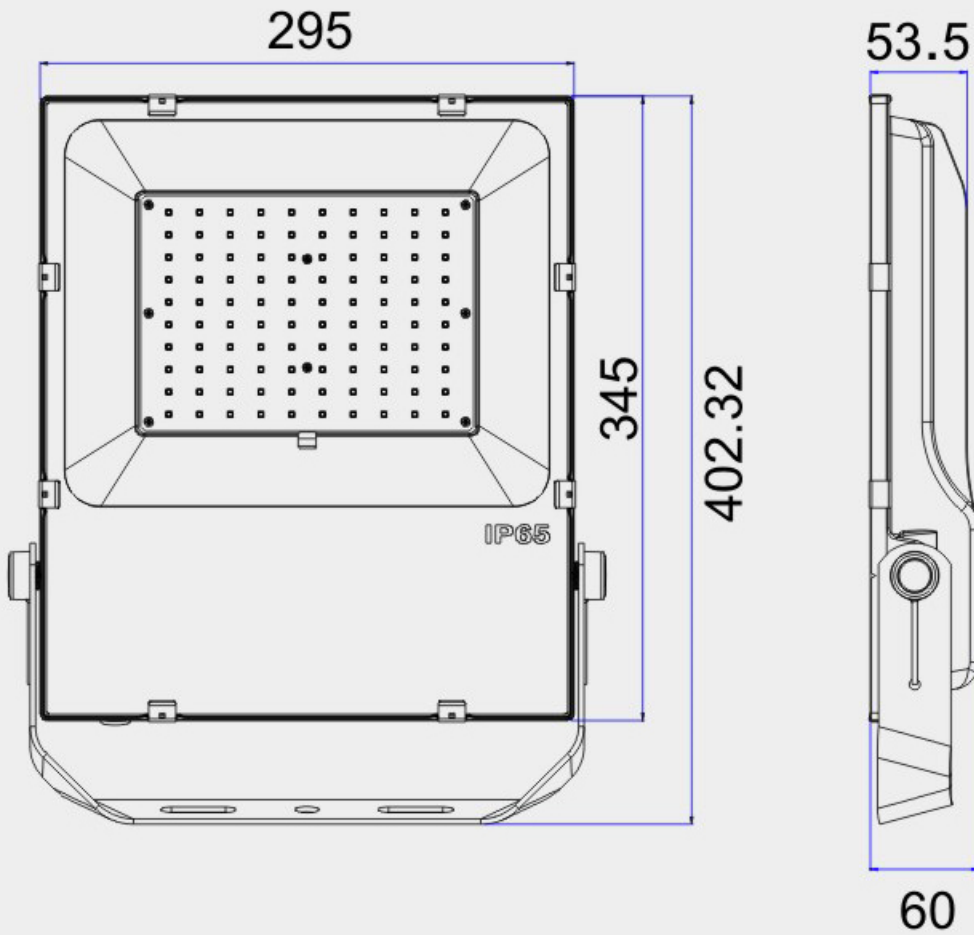


Adaptive parameter

Power (W)	80
Voltage (V)	30
Current(mA)	2400
CHIP model	3030
LED QTY(pcs)	80(PCS)
Any way	16P5S
PCB' S size(mm)	135×115×1.5(mm)

Product size

Unit : mm

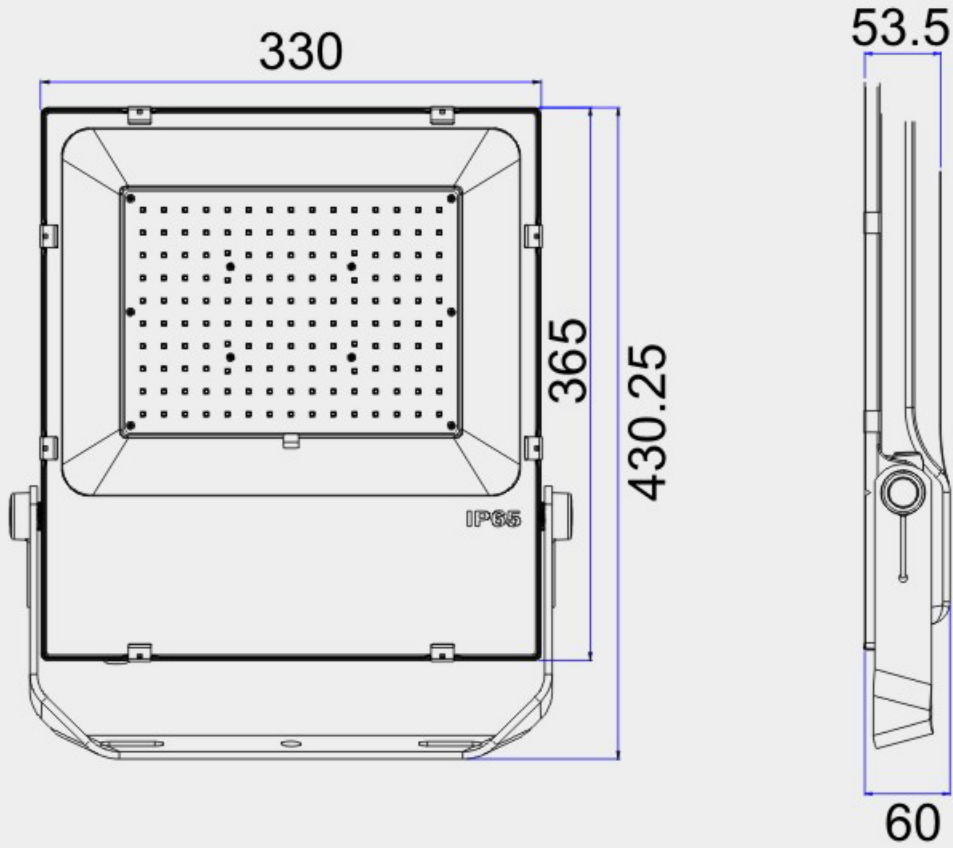


Adaptive parameter

Power (W)	100
Voltage (V)	30
Current(mA)	3000
CHIP model	3030
LED QTY(pcs)	100(PCS)
Any way	20P5S
PCB' S size(mm)	184×155×1.5(mm)

Product size

Unit : mm

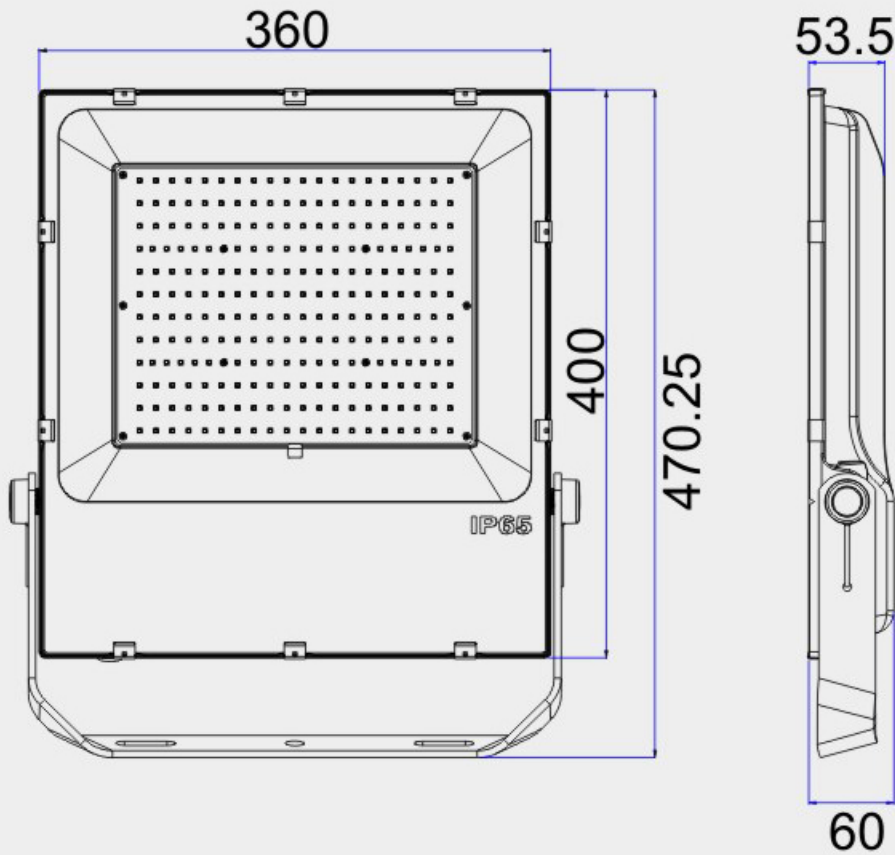


Adaptive parameter

Power (W)	150
Voltage (V)	30
Current(mA)	4500
CHIP model	3030
LED QTY(pcs)	150(PCS)
Any way	30P5S
PCB' S size(mm)	220×185×1.5(mm)

Product size

Unit : mm



Adaptive parameter

Power (W)	200
Voltage (V)	36
Current(mA)	5000
CHIP model	3030
LED QTY(pcs)	240(PCS)
Any way	40P6S
PCB' S size(mm)	250×219×1.5(mm)